
THE ORION 250s

PRECISION MICRO WELDING TECHNOLOGY



MADE IN THE **USA**

ORION 250s

THE PRECISION WELDING TECHNOLOGY YOU NEED!



BENEFIT: **Save Time!**

The Orion 250s is the ideal welding tool that every metalsmith should have. Save time doing simple or complicated work such as butt joints, filling porosity, adding metal, attaching different sized pieces, fusing dissimilar metals, or any other application you may encounter. Save time and increase efficiency with this easy-to-use system!



TECHNOLOGY: **How Does it Work?**

Electrical Energy – Plasma Discharge:

Pulse Arc welding uses electrical energy to create a plasma discharge. The high temperature plasma in turn melts metal in a small spot. This process takes place in milliseconds. The process is clean, and very controllable – perfect for intricate and minute welding applications on precious and non precious metals! Filler metal can also be added to build up joints and create strong and reliable weld "beads", or weld seams.

Two in One Combo:

The Orion is a pulse-arc welder and a capacitive discharge resistance welder in one. This combination of abilities allows for infinite creative possibilities. In its Tack Mode the Orion can be used to temporarily position parts before welding or soldering. In its Pulse Arc Mode, the Orion can be used to perform permanent welds, add metal, and do a variety of other amazing and time saving applications.

MADE IN THE USA

KEY FEATURES: **Why Buy An Orion 250s?**

Precision and Power:

You can fine tune the Orion 250s to get the perfect weld. You have the ability to adjust your power down to 1 Joule (Ws) of energy. Alternatively, you may need 250 Joules of energy which will give you roughly a 3.5mm weld spot size. These power settings are adjustable in increments of 0.20 Ws

Ignition Settings:

Prolong the life of your electrode by determining when the electrode will release the weld. This safeguards the electrode from misfires and sticking to the workpiece. In turn, you spend more time welding and less time sharpening an electrode.

Weld Speed Modes:

Take control of the speed of your system. Select one of two modes — single (1 weld p/sec) or rapid (up to 5 welds p/sec) and keep the work pace at the speed you want—not where the welder dictates.

Full Touch Screen:

The Orion touch screen gives you complete control of your welder with an easy to use interface. No knobs or dials, just one touch access to everything you need including a multi media page full of instructional videos and documents. This makes our welders intuitive to use and easily upgradeable for future features as they are released in free software updates.

Highest Quality Standards:

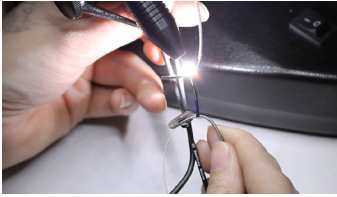
When you purchase an Orion 250s, take confidence in knowing that it was designed, produced, and assembled to the highest quality standards in the industry—in other words, it's the best you can buy.

Superior Customer Service:

Before, during, and after the sale, we want to be your resource for years to come. We guarantee that every interaction with our company will be courteous and friendly in answering your questions or helping in any way we can.

MADE 
IN THE

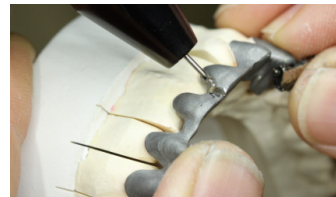
APPLICATIONS: What Can It Do?



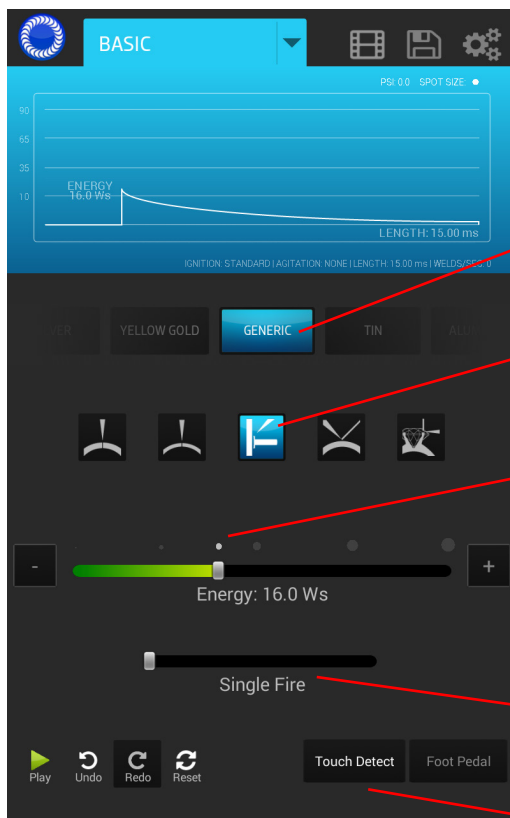
- Hollow Pieces
- Seam Welding
- Electronic Components
- Add Metal
- Fill Porosity
- Small Wires
- Attach Separate Pieces



- Weld Dissimilar Metals
- Posts
- Small Parts
- Dental Lab Repairs
- Jewelry Repairs
- Eyeglass Repairs
- Mold and Die Repair



THE ORION INTERFACE: Welding Made Easy



The Basic Screen:

Whether you are an expert at pulse-arc welding or doing it for the first time, we have developed a simple and intuitive, step by step system, for you to follow when welding.

Step 1:

Choose the metal you are welding.

Step 2:

Select the type of application you are performing.

Step 3:

Choose your power. Not sure what power to choose? Look to the spot size indicator above the power bar for a reference
*From the Basic Screen the 250s will change the welding time automatically as you move the power up or down.

Step 4:

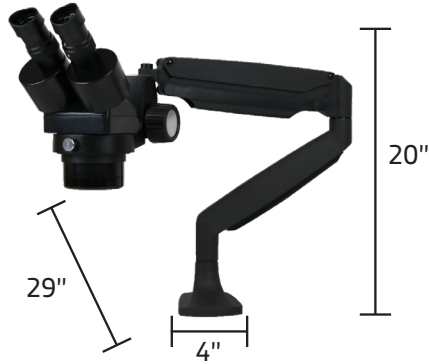
Choose the welding speed.

Step 5:

Select Touch Detect or Foot Pedal.

MADE IN THE USA

TECH SPECS



Footprint (L x W x H) 1-29" x 4" x 1-20"

Orion 250s Pulse Arc and Resistance Welder	
Weld Modes	4 (nano, micro, ultra, tack)
Pre-Programmed Metal Settings	11
Customizable Save Settings	50 (25 Arc & 25 Tack)
Languages	20 + (Ask rep if we have your language)
Display	8" Capacitive 10 point Touch Screen
Energy (Ws)	1-250 Ws
Switching Power Supply	110/240VAC (Auto Detected)
Weld Spot Diameter	0.5 - 4.5mm
Footprint (L x W x H)	12" x 6" x 10" (30.5 x 15.2 x 25.4cm)
Weight	20 lbs (9 kg)
Stereo Microscope Magnification	5x



CE TESTED AND CERTIFIED

Welder tested for electrostatic discharge immunity up to 2kV for CE compliance

2 YEAR WARRANTY



THE ORION MICROSCOPE: **Clear View and Max Eye Protection**



THE ORION AUTO DARKENING LENS: **Entry Level View with Maximum Eye Protection**



MADE IN THE USA